

SRFA801 Resistor forming & assembling machine

- About southern machinery
- Machine appearance
- Machine description
- Dimensions





About us:

Southern Machinery (SMTHELP), which specializes in SMT machines and spare parts. SMTHELP has more than 20 years of experience in the electronics processing equipment industry. Customers all over the world, and win the trust and praise of customers. Long-term customers include BOSCH in Spain and India, DIXION in India, Panasonic in Mexico, Samsung and Cliptechin Brazil.

With the SMTHELP industry experience, philosophy and professional team, adhere to the “One-Stop Solution” belief to serve customers in the electronics processing industry, providing customers with cost-effective, high quality spare parts and equipment with stable performance from China, saving customers time And cost. truly one-stop solution services.

Honor customers:



FOXCONN®

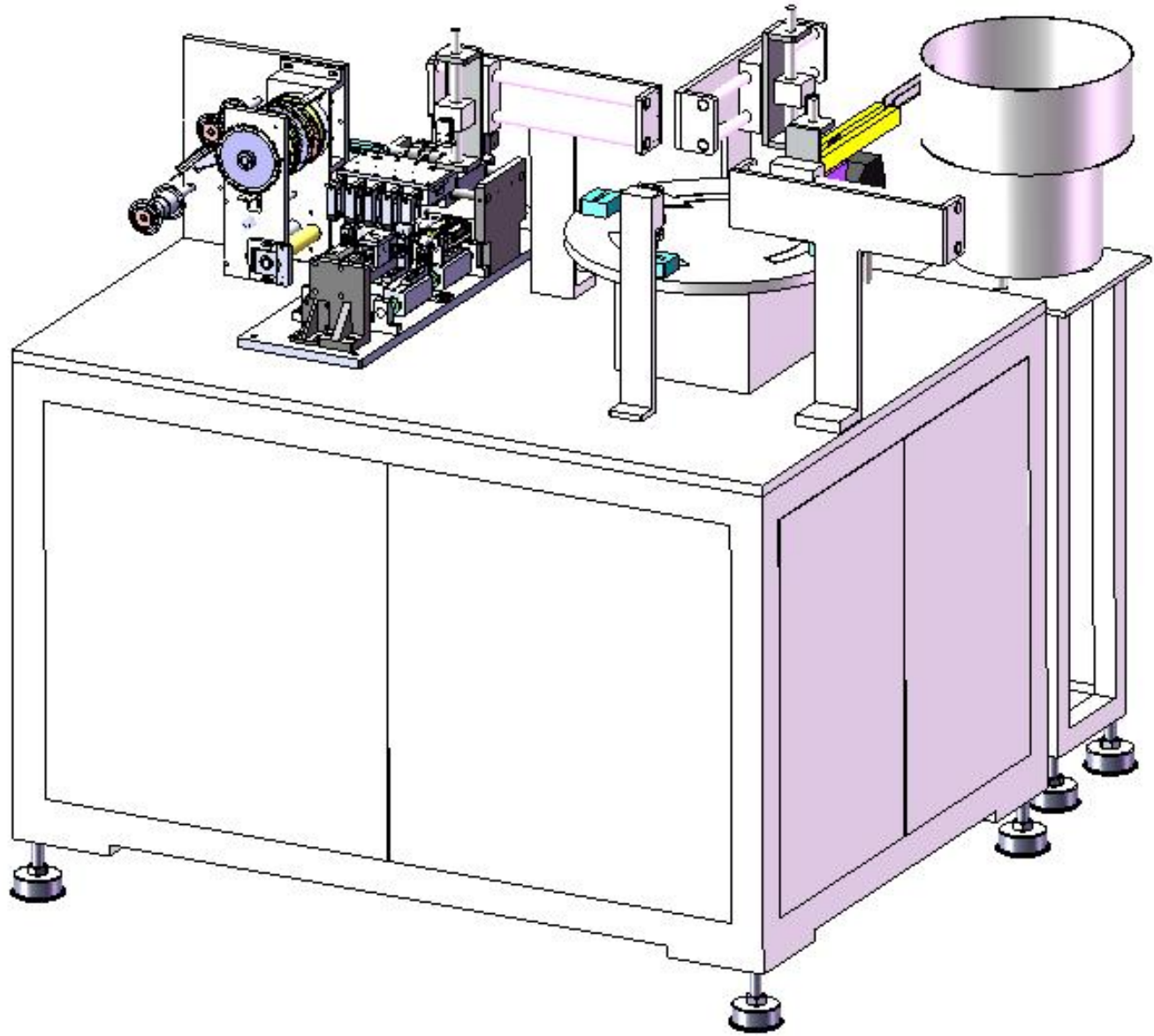
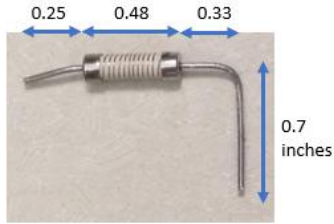
JUKI

Schneider
Electric

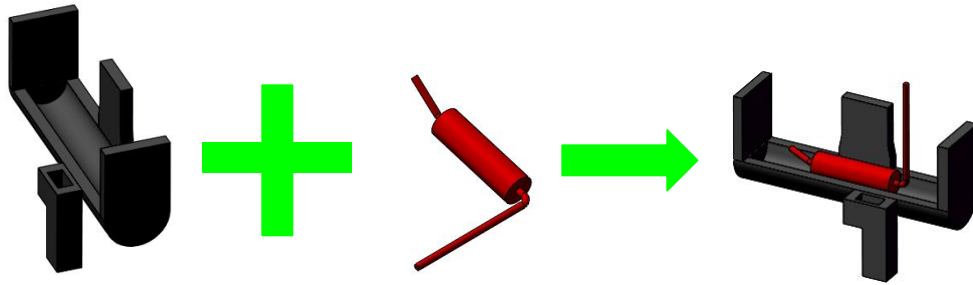
清华大学
Tsinghua University



Machine appearance



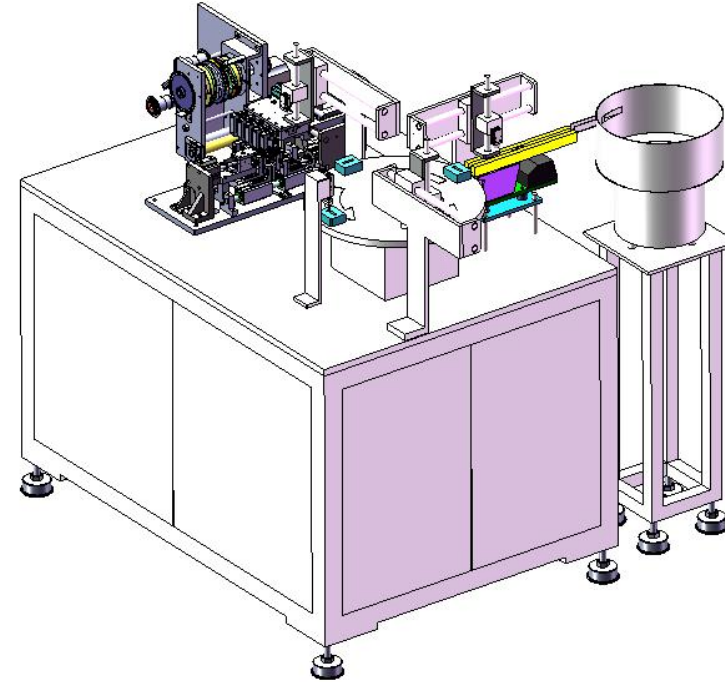
Machine description 1



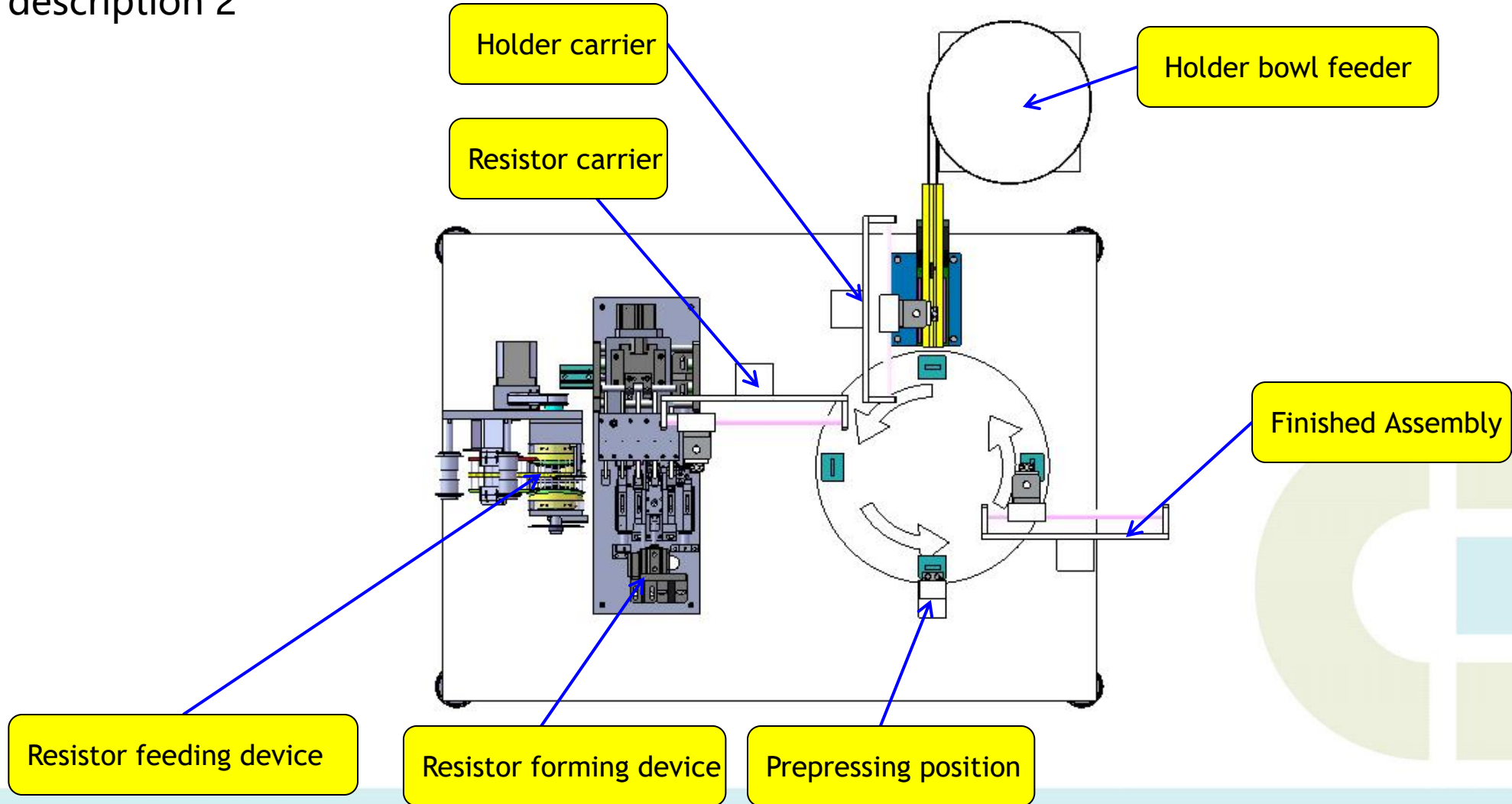
1: Holder auto-feed to prepressing position.

2: The tape resistors feed and forming after lead cutting, then carry to prepressing position.

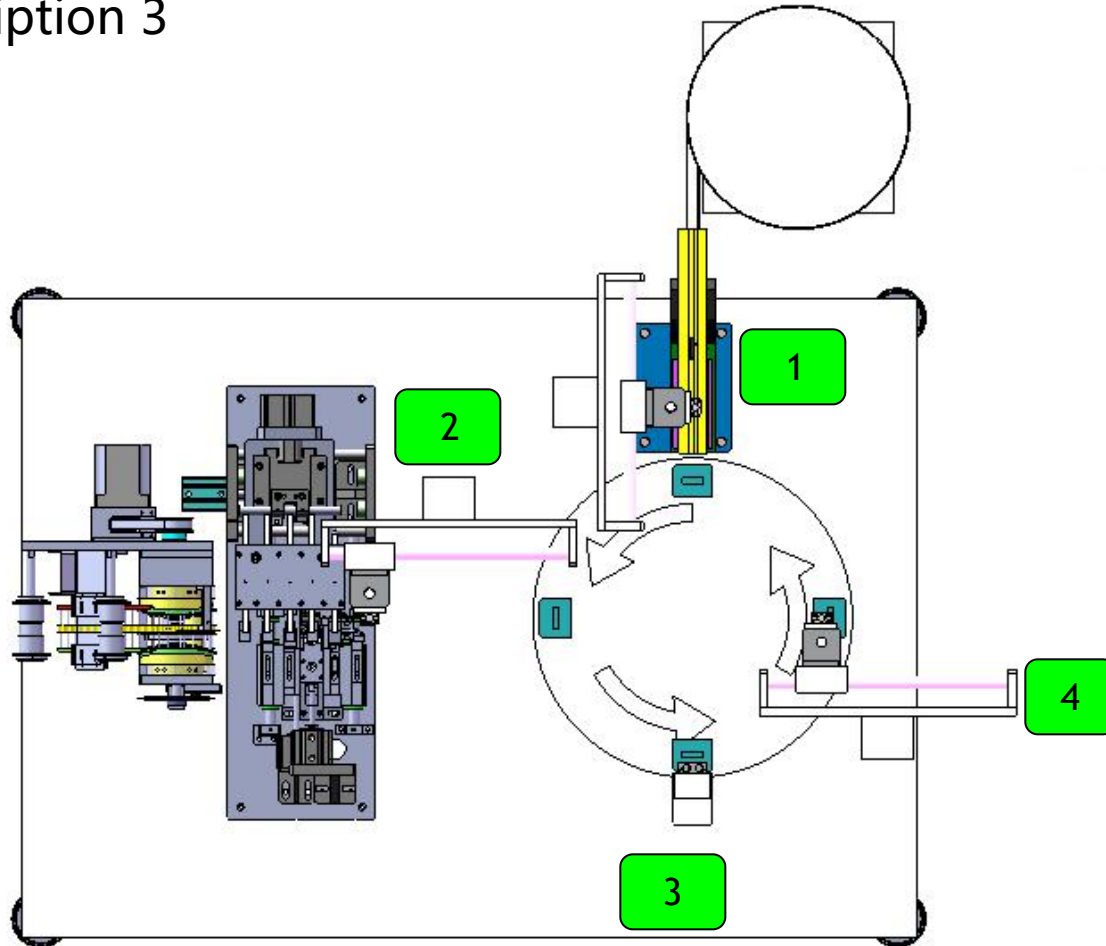
3: Two parts assemble and prepressing.



Machine description 2



Machine description 3



The action sequence:
1: Holder feeding.

2: Formed resistor feeding.

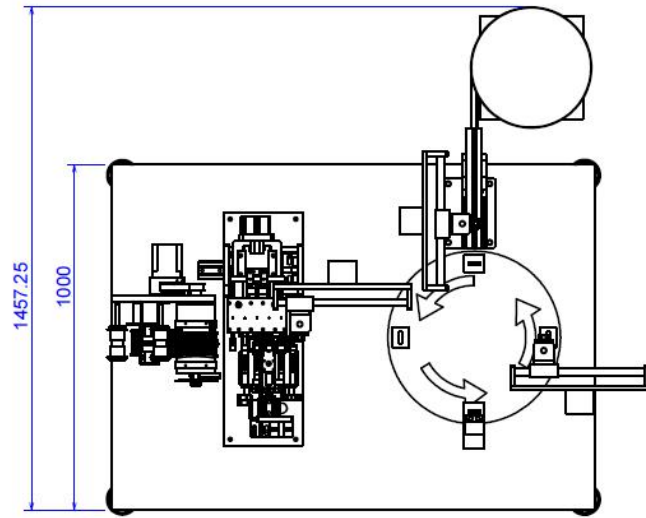
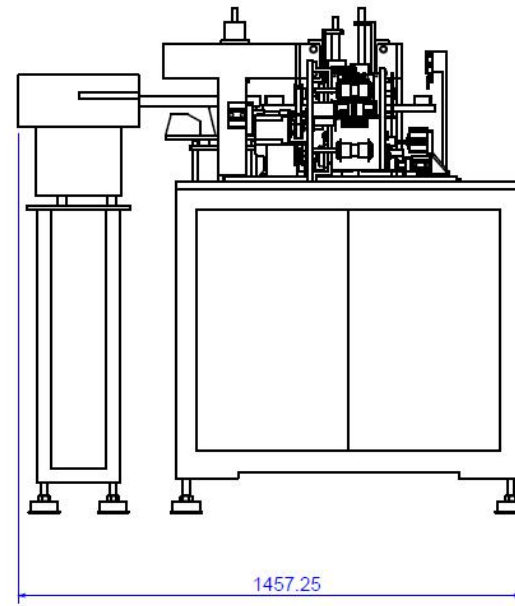
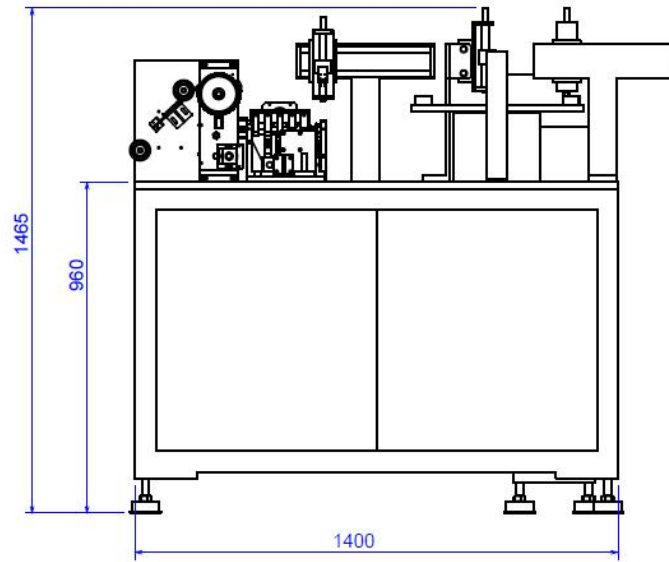
3: Parts prepressing.

4: Gripper pick out
finished parts.

Out put : 1000 PCS/hours



Dimensions



Please visit

www.smthelp.com

Find us more

<https://www.facebook.com/autoinsertion>

Know more our team

<https://cn.linkedin.com/in/smtsupplier>

Welcome to our factory in Shenzhen China

See more machine working video, please Youtube

Auto Insertion

Google

Auto+insertion, to get more informations

Looking forward to your email

info@smthelp.com